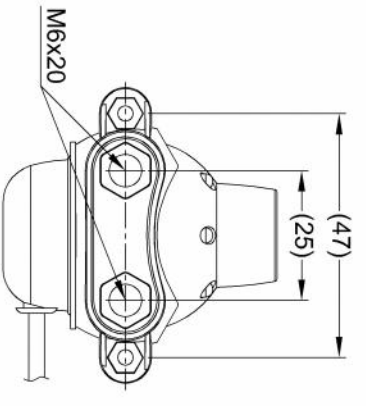
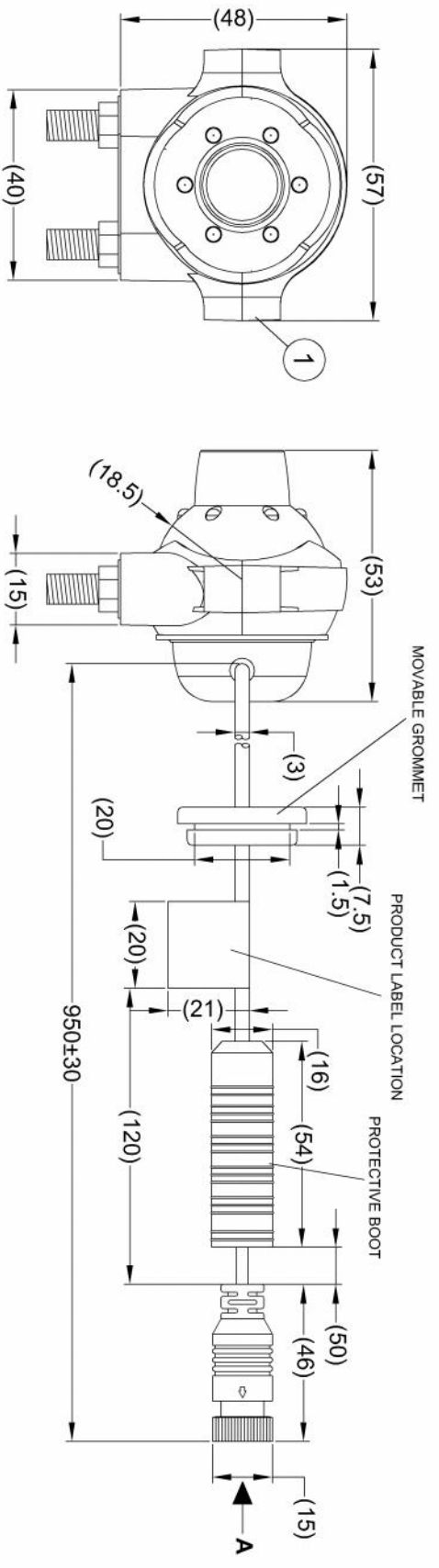
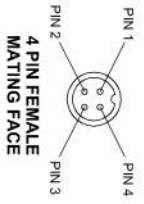


Revision Notes.			
R1 - MOUNTING NUTS & BOLTS ADDED. CONNECTOR DETAIL REVISED. FRAME UPDATED.			
APR. X.HUANG	Drawn: BATES	Checked: H.BUTLER	Approved: S.MATTHEWS
			Date: 05/03/13



ITEM	PART NO	QTY	MODEL DESCRIPTION
1	(3792)	1	VBV-020C-C CAMERA & HOUSING
2	(3801)	1	VBV-020C-FIX FIXING KIT (NOT SHOWN)
3	(3773)	1	VBV-020C-IG INSTALLATION GUIDE (NOT SHOWN)

VIEW A



PIN #	WIRE COLOUR	DESCRIPTION
1	RED	+12V
2	BLACK	GND
3	N/A	NOT CONNECTED
4	YELLOW	VIDEO

- NOTES:**
1. CAMERA FORMAT: PAL.
 2. CAMERA IMAGE: NORMAL.
 3. REFER TO "PRODUCT SPECIFICATION" FOR MORE DETAILS.
 4. FOR PRODUCT/SERIAL NUMBER LABEL REFER TO LATEST REVISION OF BE-0001537-XX-11.
 5. TO BE CONSTRUCTED WITH 2x M6X20mm BOLTS, 2x M6 NUTS, 2x M3X12MM MACHINE SCREWS & 2x M3 NUTS.
 6. FOR GIFTBOX LABEL PLEASE REFER TO THE LATEST REVISION OF DRAWING: BE-0016936-XX-11.

PROPRIETARY NOTICE
 THIS DESIGN AND TECHNICAL INFORMATION APPEARING ON THIS DRAWING IS THE PROPERTY OF BRIGADE ELECTRONICS. AND IS DISCLOSED IN CONFIDENCE. IT IS NOT TO BE COPIED, REPRODUCED, REVEALED TO OR EXPLOITED BY OTHERS, EITHER IN WHOLE OR IN PART WITHOUT THE EXPRESS WRITTEN CONSENT OF BRIGADE ELECTRONICS.



Assembly Pt Approval X.HUANG		Approved by D.KERAI		Checked by L.BRAR		Drawn by J.NEWMAN	
Angle of Projection		Units	Scale	Released	Assembly Ref		
Third Angle		mm	N/A	05/03/13	12201022005		
		Status	RELEASED		VBV-020C		
		Part No	3766		BE-001532-01-11		